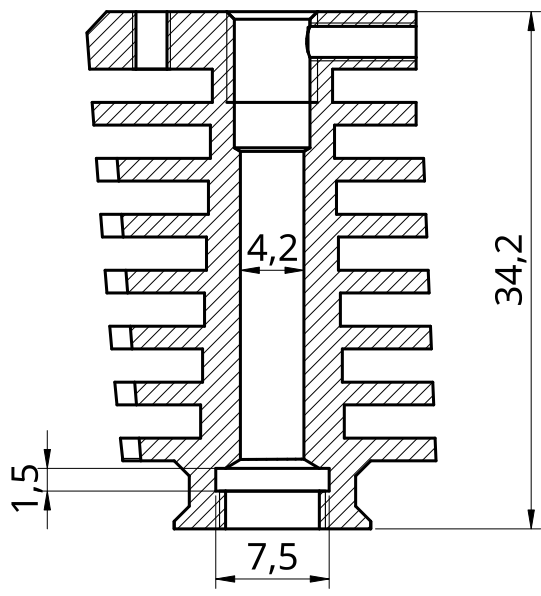
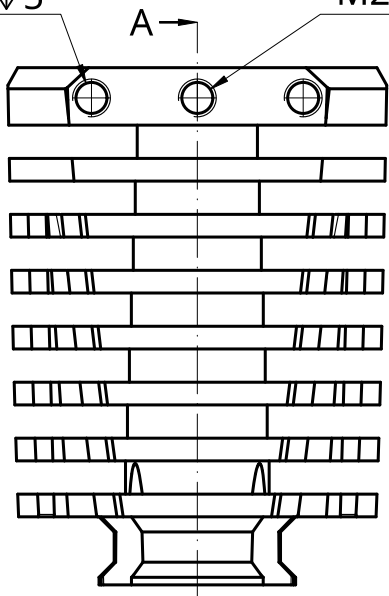


Ø6,2 ∇ 4
M7x0.75 ∇ 2,5

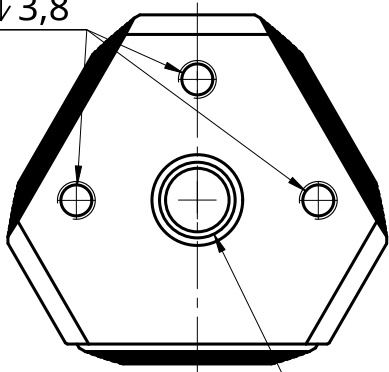
Ø2,05 ∇ 6,35
M2.5x0.45 ∇ 5

Ø2,05
M2.5x0.45 ∇ 7,15

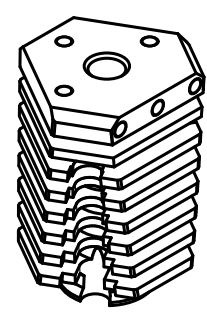


A - A

Ø2,05
M2.5x0.45 ∇ 3,8


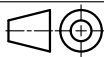


Ø5 ∇ 9
M6x1.00 ∇ 6



1:1

EVERY UNSPECIFIED SURFACE FINISH $\sqrt{RA 0.4}$

UNLESS OTHERWISE SPECIFIED, DIMENSIONS ARE IN MILLIMETERS	DRAWN	NAME	SIGNATURE	DATE		
	GENERAL TOLERANCE ISO 2768-f	MAX		2022-06-23		
	CHECKED					
	APPROVED					
DO NOT SCALE DRAWING					TITLE	
BREAK ALL SHARP EDGES AND REMOVE BURRS					VADER COOLER V3	
FIRST ANGLE PROJECTION	MATERIAL	FINISH		SIZE A4	DWG NO.	REV.
				SCALE 2:1	WEIGHT	SHEET 1 of 1